
SeaViewer Cameras, Inc.

Sea-DropTM
Camera

User's Manual

Please review this User's Manual carefully to ensure that you can use the device correctly and safely. The contents of this manual are subject to change without notice.

SEA-DROP™ CAMERA DEPLOYMENT



Using with or without the Sea-Tail

If you are in relatively still water, just drop the camera in the water using the power/video cable, with or without the tail. The Sea-tail allows the camera to look forward (upstream) instead of backwards (downstream) if desired. Connect the center hole of the tail to the eyebolt at the back of the camera using the bolt, nut & lock-washer provided.

UP-DOWN Orientation

Normally the camera will look slightly downward into the water. You may change this orientation by making a loop in the cable and attaching it with a "wire-tie" to either the stainless steel eyebolt at the rear (to look downward) or the hole in the top fin (to look upward).

Getting Deeper in the Water

As speed and/or depth increases, you will have to add weight to keep the camera nearer the bottom if desired. You can hang up to 5 pounds of weight from the bottom fin of the camera, and still just deploy using the power/video cable. "Sounding" weights found at a local Marina are a good choice for adding weight.

If you need more than 5 pounds weight because of speed, you should use a tether line (such as a downrigger) to absorb the strain of the weight, instead of just the video/power cable. You can attach the downrigger cable to either the top fin of the camera or the top hole of the tail, depending on whether you want the camera pointed level, or more downward toward the bottom. Weight should then be hung from the bottom fin of the camera using a short (1-3 ft.) leader line, such as 300 lb. mono for example. This makes for a stable configuration, and allows the weight, instead of the camera, to absorb any potential impacts with the seafloor or obstructions. The SeaTail can be used to make the camera look into the current if desired, and even the grommets of the Sea-Tail can be used to orient the camera at different attitudes (angles). For example, to look more downward toward the bottom, attach the tether line (downrigger cable) to the top hole of the tail, and hang the weight from the bottom fin on the Camera.

Once the tether line and weight are attached where needed to provide the desired orientation, the 2 cables can then be secured together a foot or two from the camera with a single zip-tie (wire-tie, or such) and then clipped together every 5-10 feet with the provided **plastic clips** as they are lowered into the water. With the tether line taking the strain of the weight, the power/video cable will have a little slack in the water. The clips help avoid getting a large "bow" (too much slack) in the video cable in the water due to the current. When pulling the cables back up to the surface, the clips will easily release the power/video cable when you pull it smartly away from the downrigger cable. The clips remain on the steel cable and slide down to the bottom to be retrieved and re-used.

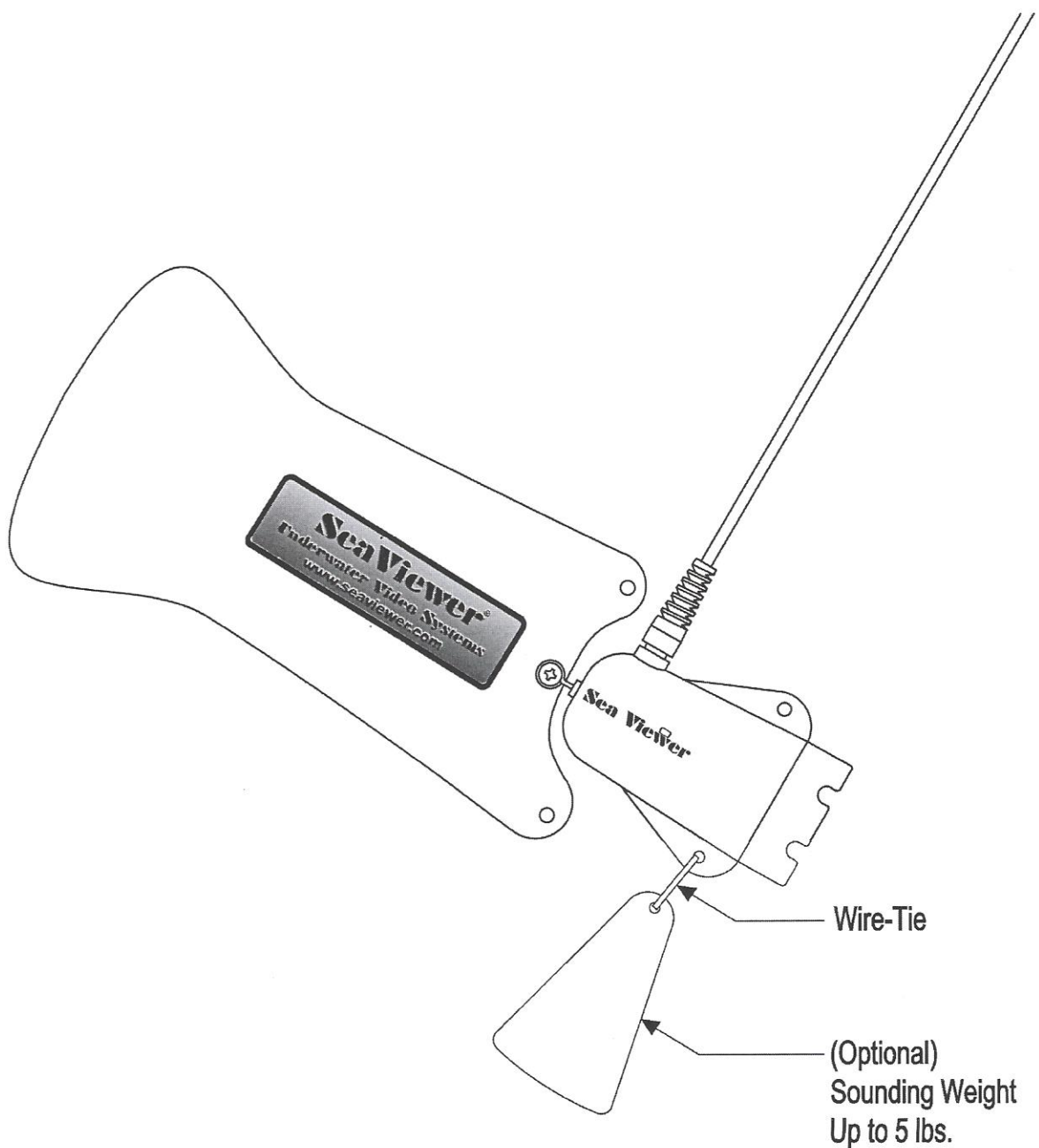
Looking back at your Bait while Trolling Deep in the Water

If you want to use the *Sea-Drop™* as a Trolling Camera to look back at your bait, use the camera without the Sea-Tail and follow the instructions for downrigger use above. Then add a release clip (or rubber band and snap swivel) to attach your monofilament fishing line to the hole in the top fin of the camera. Do NOT run your fishing line through the hole. Instead put the release clip (or snap swivel) through the hole and let it (or a wrapped rubber band) grab the mono. This way, when a fish strikes, the fishing line will be pulled free, away from the camera cable and downrigger line.

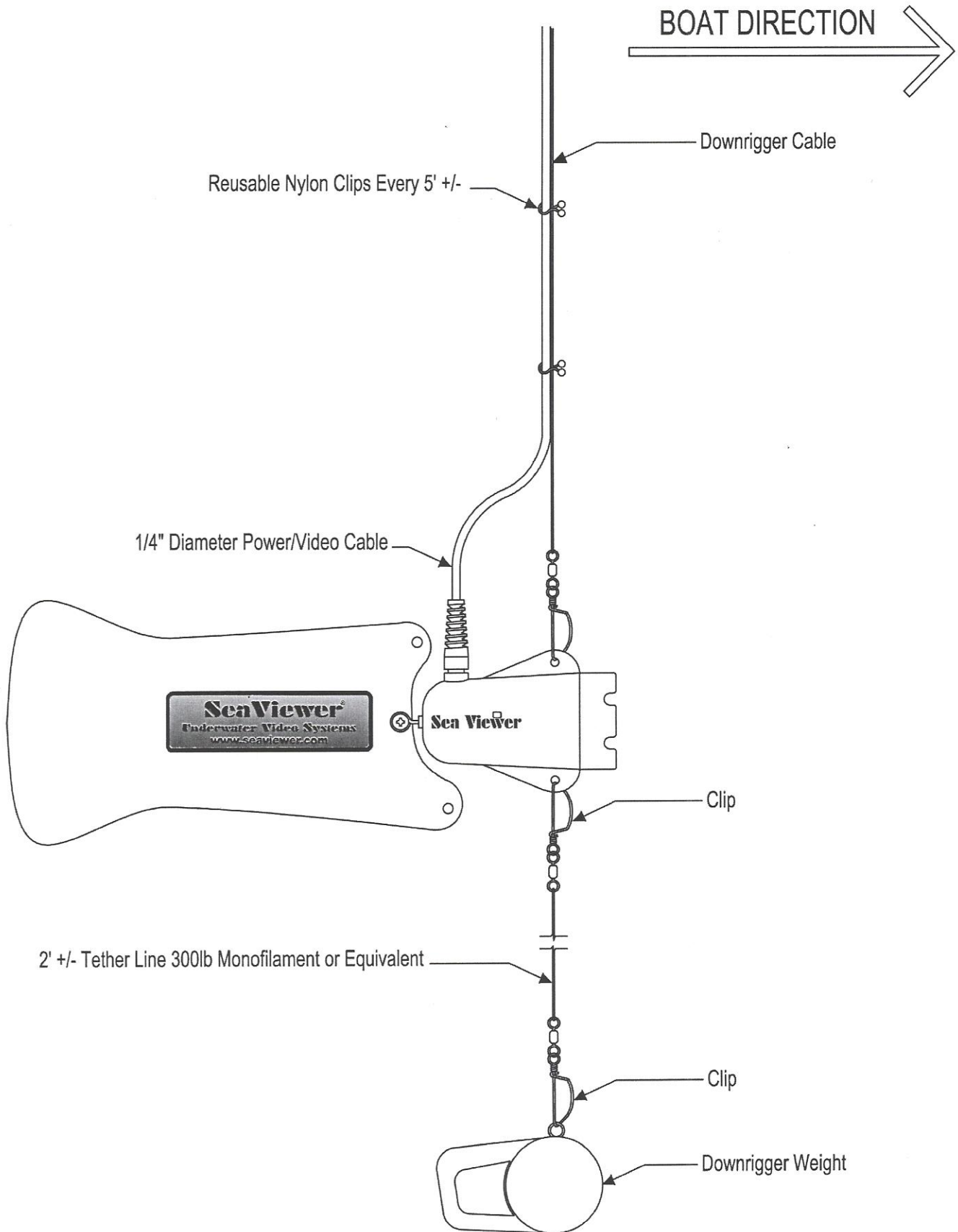
Using as a Pole-Camera

The *Sea-Drop™* comes with a clamp which attaches to the eyebolt at the rear of the camera. It will fit around a 3/4" to 1" diameter pole and allow you to swivel the camera to look upward or downward.

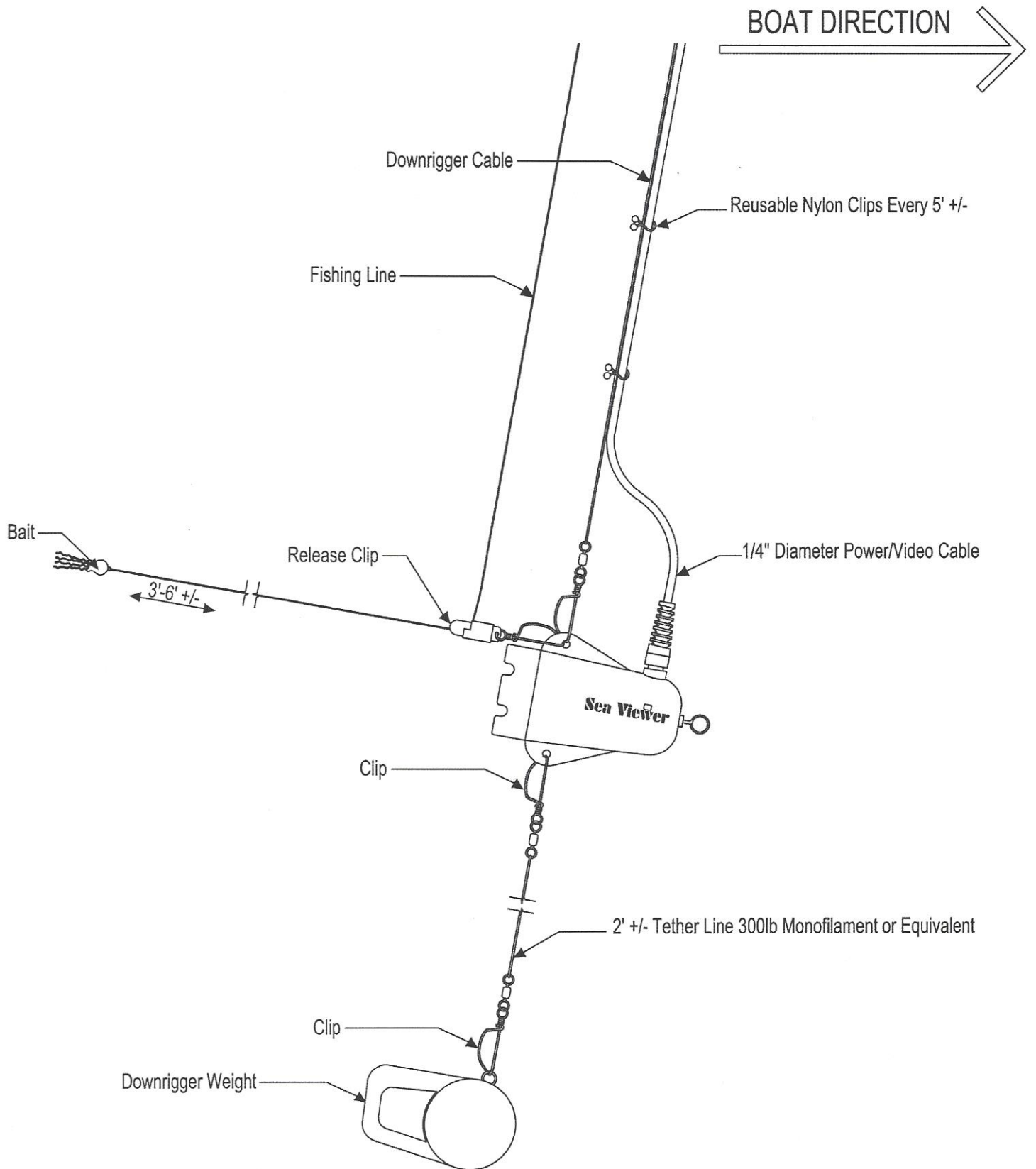
SeaViewer Sea-Drop Camera
Looking Forward At Bottom While Slow Trolling
Using Only Power/Video Cable



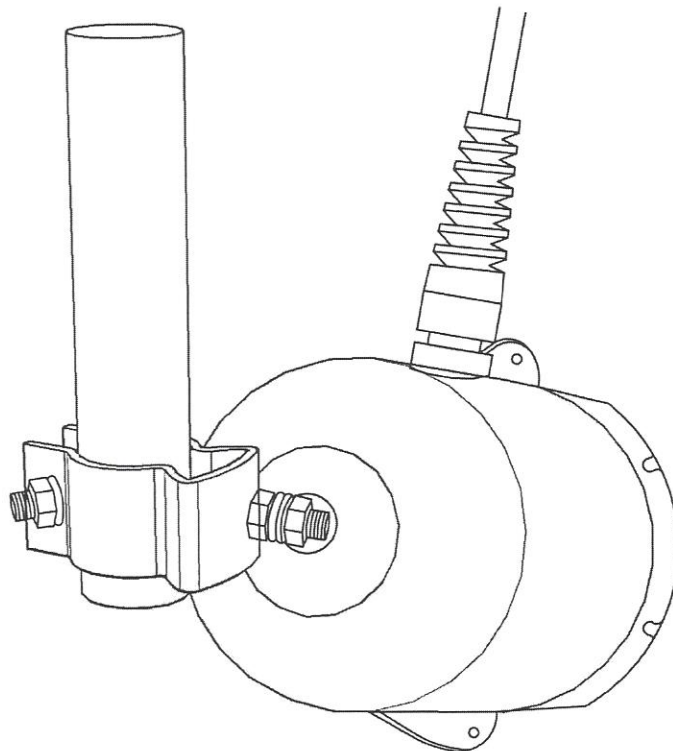
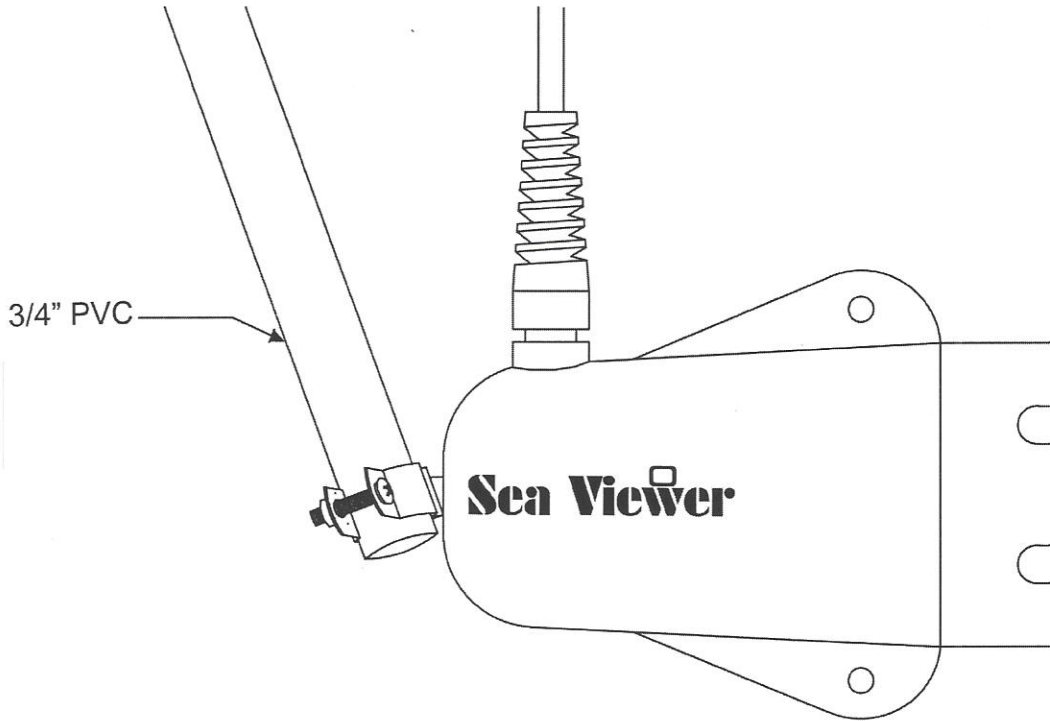
SeaViewer Sea-Drop Camera Downrigger Hook-up Looking Forward At Bottom



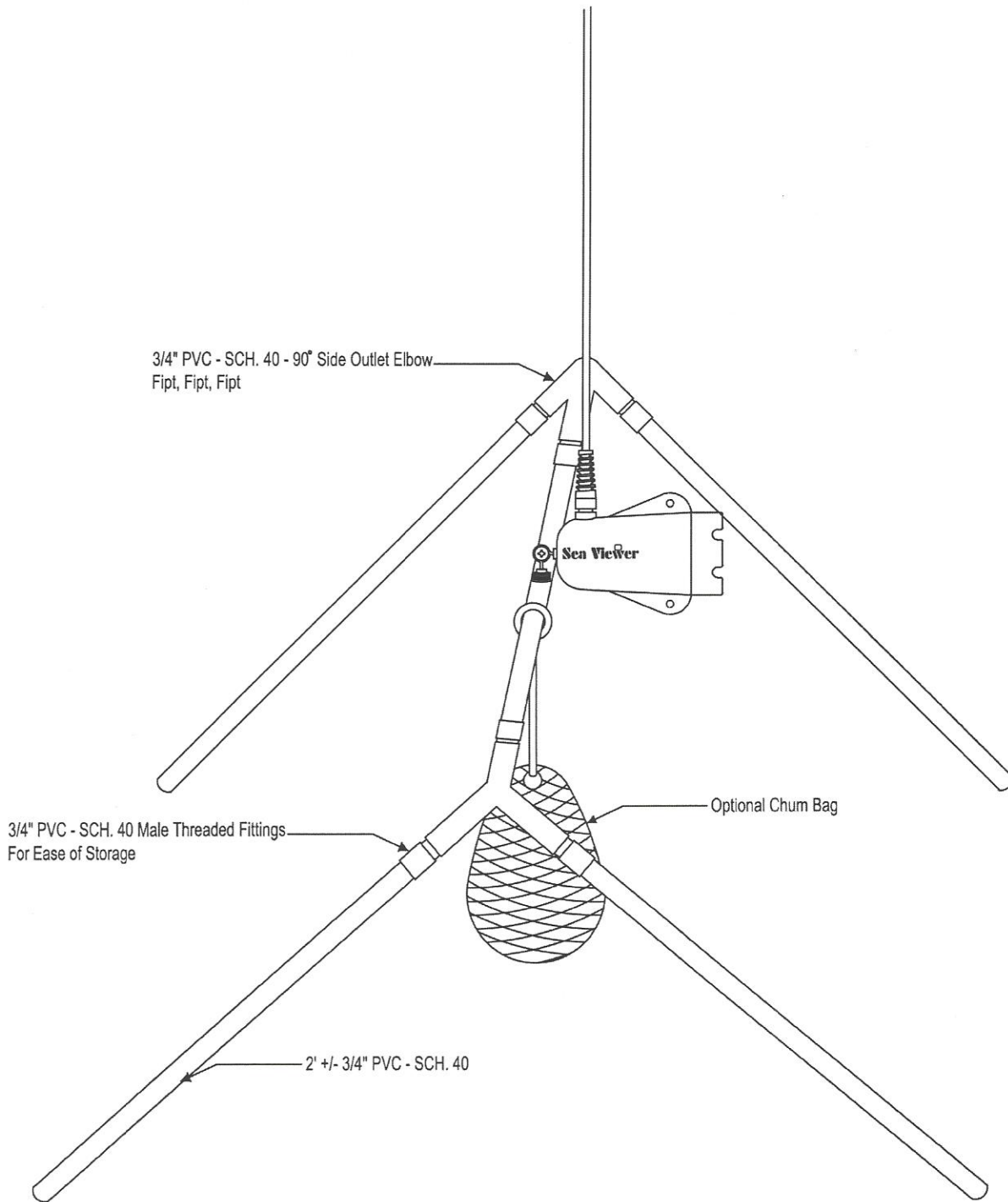
SeaViewer Sea-Drop Camera Downrigger Hook-up Looking Backwards - Watch Bait While Trolling



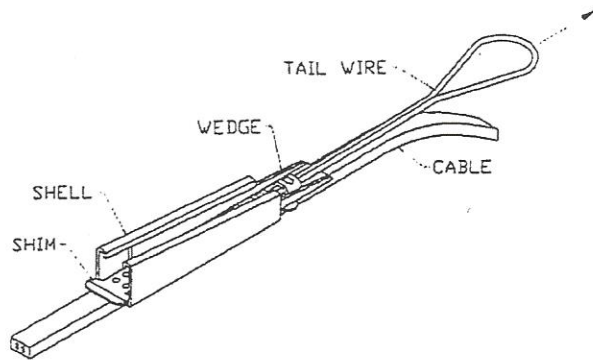
SeaViewer Sea-Drop Camera Pole Mount



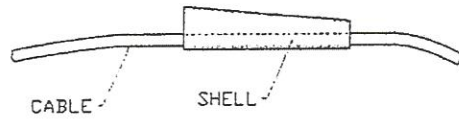
SeaViewer Sea-Drop Camera A-Frame Set Up For Bottom Or Stationary Viewing



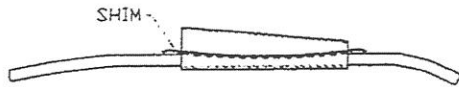
SeaViewer Cable Clamp



Step 1



Step 2



Step 3

